

Combination Heat Detector YA-H710



Operation Theory

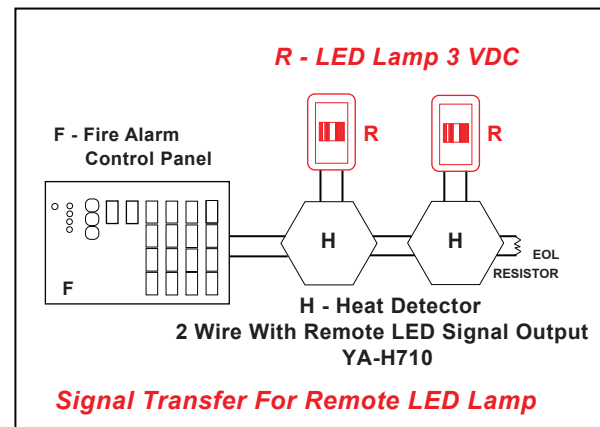
This product is a heat detector, which runs by inducting ambient temperature. Adopted advanced SMT processing technique and special structure design, it has the functions of dustproof, anti-electromagnetic interference and avoiding false alarm, the stability of the product is assured from the above. It is suitable for detecting temperature in houses, stores, hotels, and warehouses, etc.

YA-H710 Rate of Rise & Fixed Temperature Detector

Characteristics

- o Highlight dual color LED indicator
- o Current network
- o Low power consumption
- o High density SMD design
- o N.O/N.C optional
- o Power-off reset

Specification



Model / Product	YA-H710 / Combination Heat Detector
Input Voltage	DC 9-28V
Static Current	40 ± 5uA (at DC24V)
Alarm Current	50 ± 5 mA (at DC24V)
Operating Temperature	0°C ~ + 85°C
Operating Humidity	≤90%RH
Installation	Ceiling mounted
Output / Wiring Mode	3 VDC Remote indicator lamp / 2 wire with remote LED signal output
Alarm Temperature	Fixed temperature: 57±3°C & Rate-of-rise: 8-15°C/min
Alarm Reset	Power off reset
LED Indicator	Detecting: Green LED flash / Alarm: Red LED ON
Material / Color	ABS Plastic / White Color
Dimension	∅ 100 x 45 mm.

Effective Alert Area

Usafe 2024-14

Construction Height	4 m
Fireproof Building	60 m ²