

CP-300BS Combination Box With 24 VDC Battery

Specification

- (A) Fire indicating Lamp AH-9719 (Outside Box)**
 - Rated voltage : 24V DC | ○ Product : Taiwan
 - Lamp Red Color : 1 X LED 20mA
 - Dimension : 90 (Dia) X 70 (H) mm.
- (B) Fire Alarm Bell HC-624B (Inside Box)**
 - Rated current : 20mA | ○ Product : Taiwan
 - Rated voltage : 24V DC | ○ Approval : UL.Listed
 - Volume : 95dB @10FT
 - Dimension : Ø6" (152) X 61 (H) mm.
- (C) Manual Station AH-9717 (Outside Box)**
 - Rated current : 30mA | ○ Product : Taiwan
 - Rated voltage : Type I 24 VDC | ○ Material : Plastic
 - Function : Phone jack, Reset button, Confirmation LED Lamp
 - Dimension : 140 (Dia) X 45 (H) mm.
- (D) Combination Box**
 - Type : Surface | ○ Product : Thailand
 - Mounting Type : Iron material | ○ Color : Red, White
 - Material : Iron material
 - Key Lock : Camlock open ~ close
 - Dimension : 230 (W) X 90 (D) X 430 (H) mm.
- (E) Safety Breaker (Inside Box)**
 - Type : 220 VAC | ○ Product : China
 - Contact : 10A

CP-300BS With Battery
Combination Box

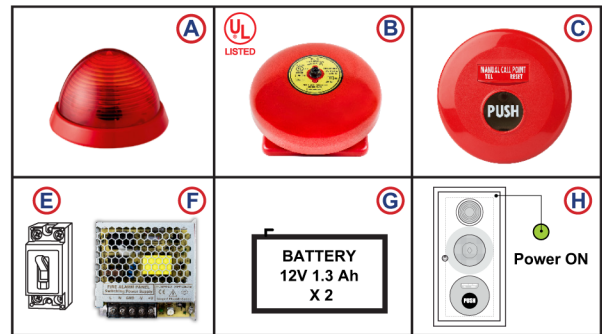


Red Color

CP-300BS With Battery
Combination Box



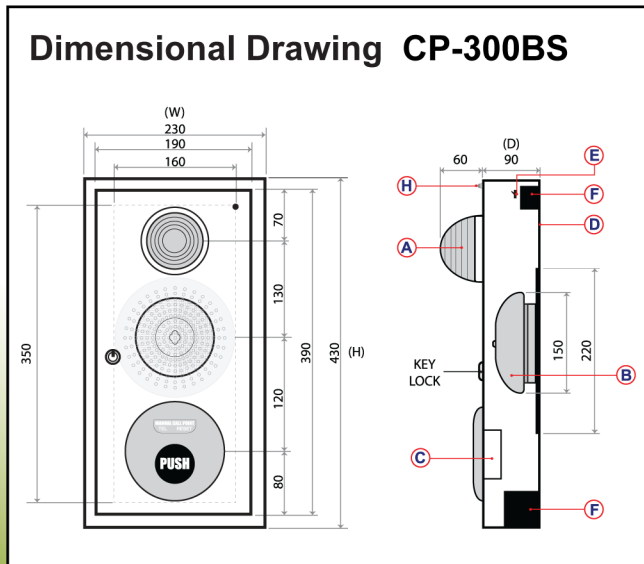
White Color



Vertical
or
Horizontal



CP-300BS With Battery
Red Color or White Color



(F) Switching & Charger Power Supply (Inside Box)

- Input : AC 100-220V | ○ Product : China
- Output : DC 28V 3.5A

(G) Battery X2 (Inside Box)

- Voltage : 12 VDC X 2 (24 VDC) | ○ Product : Thailand
- Current : 1.3 Ah

(H) Power ON (Outside Box)

- Lamp : LED
- Color : Green Color or Red Color
- Size : 8 mm.
- Product : Thailand