

CP-500BS Combination Box With 24 VDC Battery

Specification

A Fire indicating Lamp *AH-9719* (Outside Box)

- Rated voltage : 24V DC | ○ Product : Taiwan
- Lamp Red Color : 1 X LED 20mA
- Dimension : 90 (Dia) X 70 (H) mm.

B Fire Alarm Bell *YAL03* (Inside Box)

- Rated current : 40mA | ○ Product : China
- Rated voltage : 24V DC
- Volume : 95dB @1M
- Dimension : Ø6" (152) X 70 (H) mm.

C Manual Station *AH-9717* (Outside Box)

- Rated current : 30mA | ○ Product : Taiwan
- Rated voltage : Type I 24 VDC | ○ Material : Plastic
- Function : Phone jack, Reset button, Confirmation LED Lamp
- Dimension : 140 (Dia) X 45 (H) mm.

D Combination Box

- Type : Surface Mounting Type | ○ Product : Thailand
- Material : Iron material | ○ Color : Red, White
- Key Lock : Camlock open ~ close
- Dimension : 230 (W) X 90 (D) X 430 (H) mm.

E Safety Breaker (Inside Box)

- Type : 220 VAC | ○ Product : China
- Contact : 10A

CP-500BS With Battery
Combination Box

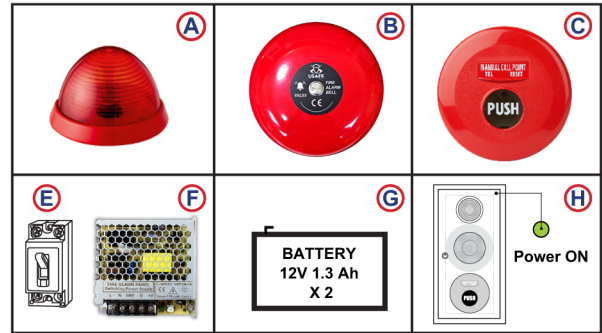


Red Color

CP-500BS With Battery
Combination Box



White Color

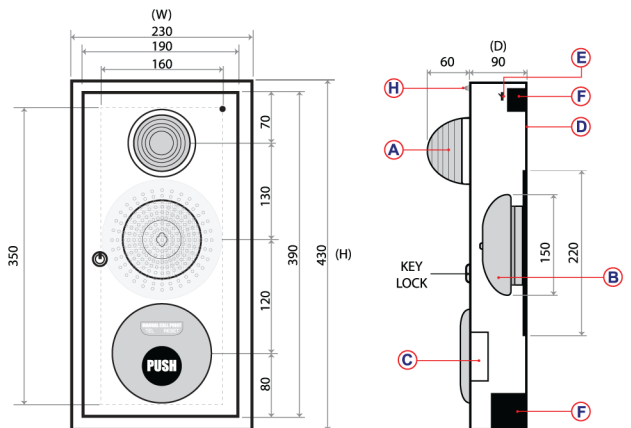


Vertical
or
Horizontal



CP-500BS With Battery
Red Color or White Color

Dimensional Drawing CP-500BS



F Switching & Charger Power Supply (Inside Box)

- Input : AC 100-220V | ○ Product : China
- Output : DC 28V 3.5A

G Battery X2 (Inside Box)

- Voltage : 12 VDC X 2 (24 VDC) | ○ Product : Thailand
- Current : 1.3 Ah

H Power ON (Outside Box)

- Lamp : LED
- Color : Green Color or Red Color
- Size : 8 mm.
- Product : Thailand